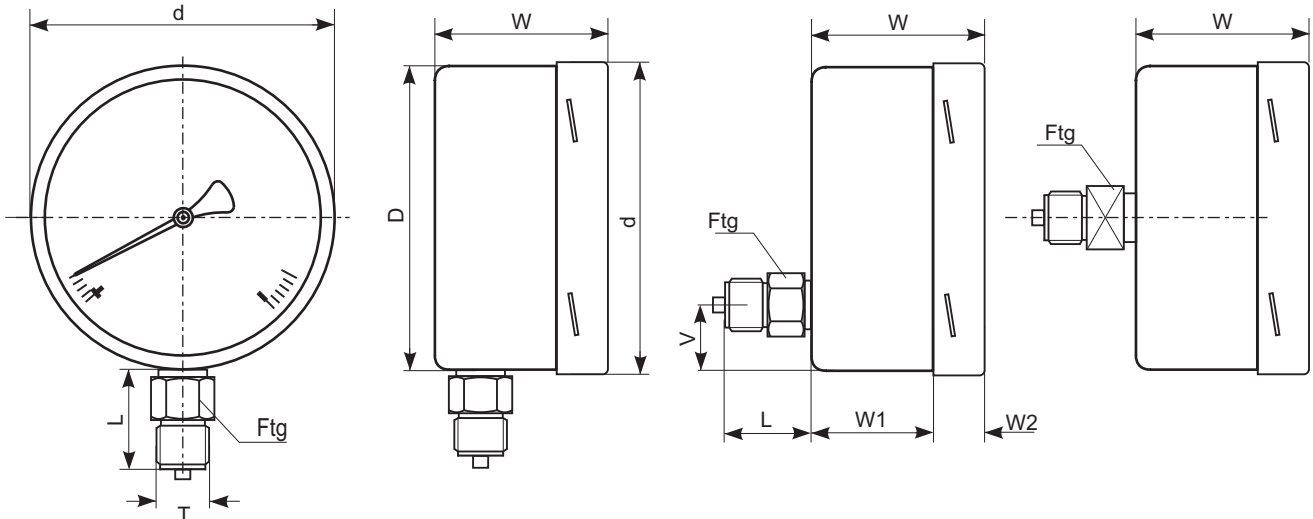


TECHNICAL SPECIFICATIONS
Bayonet Twist Lock Case Dimensions

Data Sheet DIM PT3-4

DIMENSIONS OF TWIST LOCK BEZEL CASE WITHOUT MOUNTING FLANGES

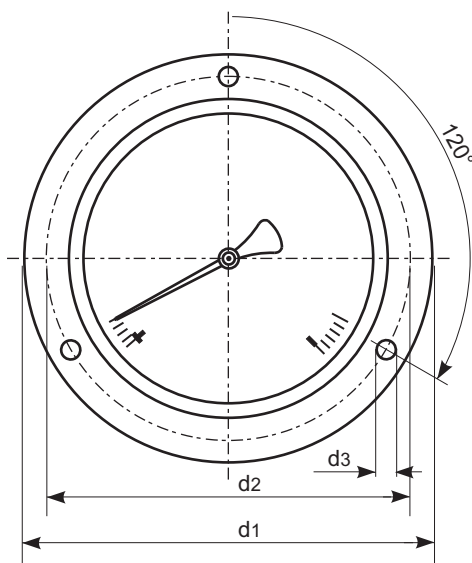


TWIST LOCK BEZEL CASE AND FLANGE DIMENSIONS

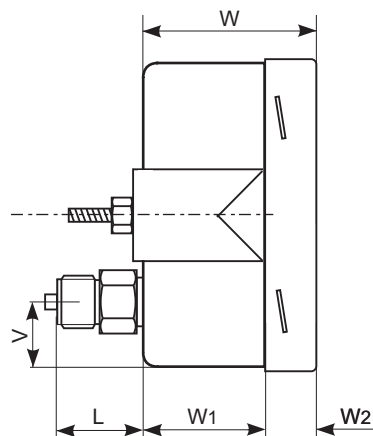
IN MM

Nom Dia.	D	d	d1	d2	d3	W	W1	W2	V	L	Ftg	T	Panel cut out to suit back entry gauges		Weight in kg	
													3 Hole Mtg	Clamp Mtg	Dry	Glyc filled
63	62	64	85	75	3.6	32	20	12	11	24	14 A/F	1/8", 1/4" BSP / BSPT / NPT standard	64	64	0.2	0.25
100	99	101	132	116	4.8	49	32	17	22	39	22 A/F	1/4", 3/8", 1/2" BSP / BSPT / NPT standard (Other thread sizes on request.)	101	101	0.5	0.90
160	158	161	196	178	5.8	51	33	18	51	39	22 A/F		160	160	1.0	1.80
250	248	262	285	270	5.8	54	37	18	72	39	22 A/F		250	250	2.0	N/A

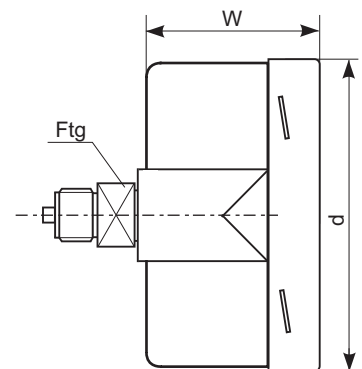
DIMENSIONS OF TWIST LOCK BEZEL CASE WITH MOUNTING FLANGES



3 hole mounting flange



(Off-centre rear connection)
(Front ring - clamp mounting)
Standard for sizes 100, 160 & 250 mm.
Optional for other sizes.



(Centre rear connection)
(Front ring - clamp mounting)
Standard for sizes 40,50, 63 & 75mm
Optional for other sizes.