

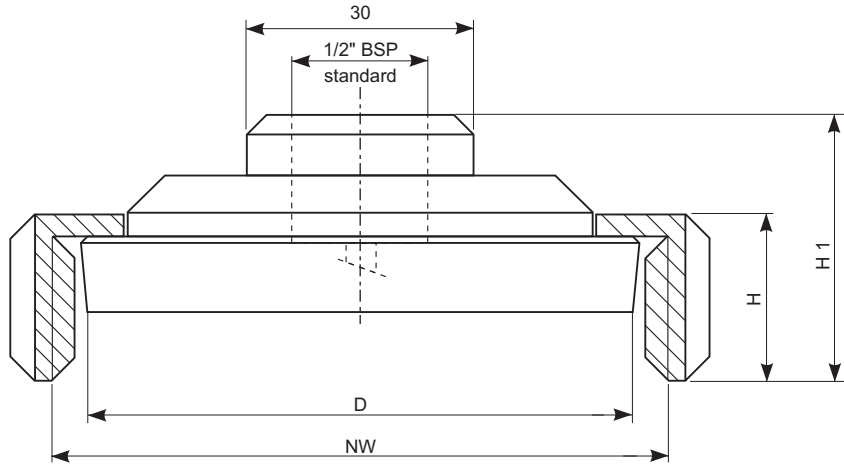


**TECHNICAL SPECIFICATIONS**

Diaphragm Seal Dimension - Hygiene Series

Data Sheet DIM HYG

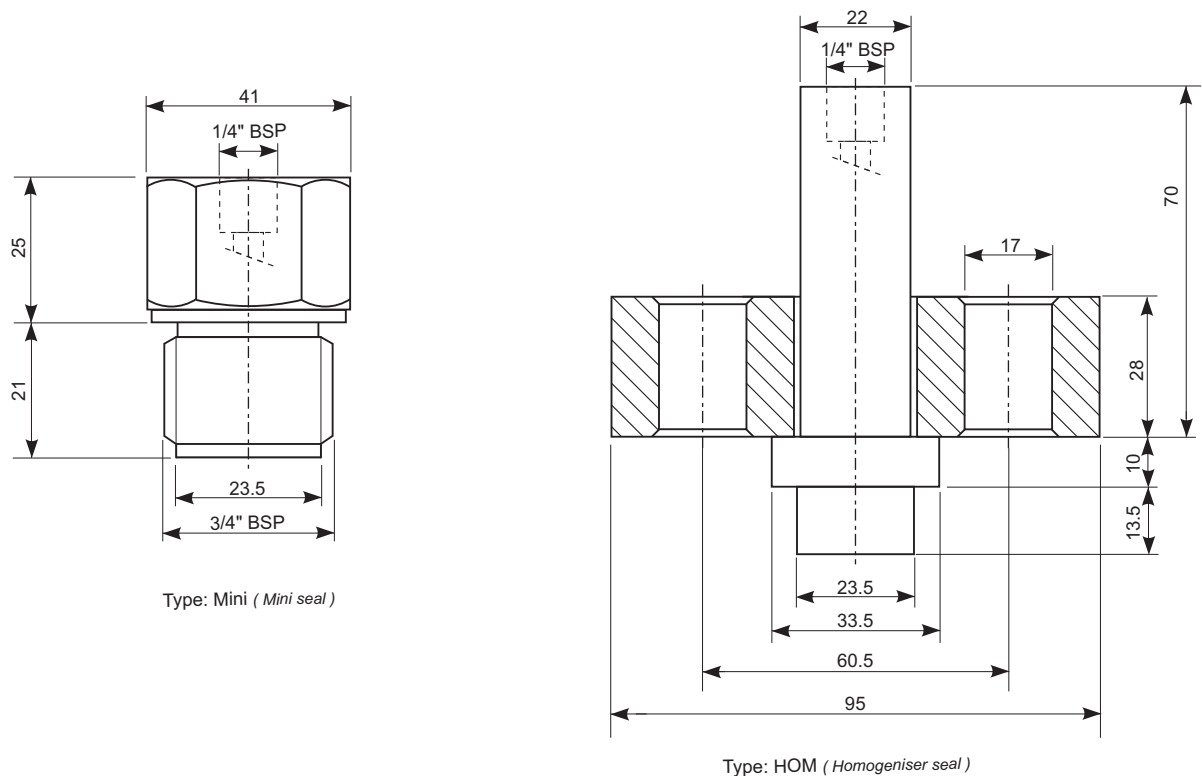
**DIMENSIONS OF DIAPHRAGM SEAL TYPE NW**



**DIMENSIONS OF DIAPHRAGM SEAL TYPE NW  
( in mm )**

Union Nut	D	D1	H	H1	Weight in kg
25	47	52	21	34	0.35
40	60.5	65	21	34	0.60
50	63	78	22	36	0.70

**DIMENSIONS OF DIAPHRAGM SEAL TYPE MINI & TYPE HOM**



Type: Mini ( Mini seal )

Type: HOM ( Homogeniser seal )